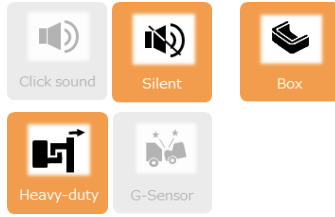
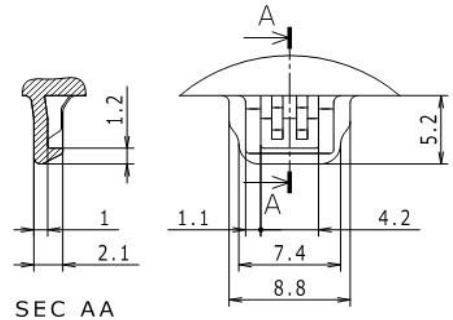
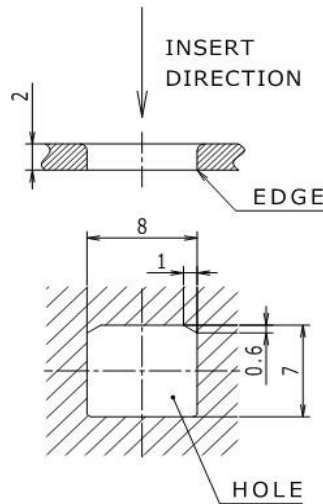
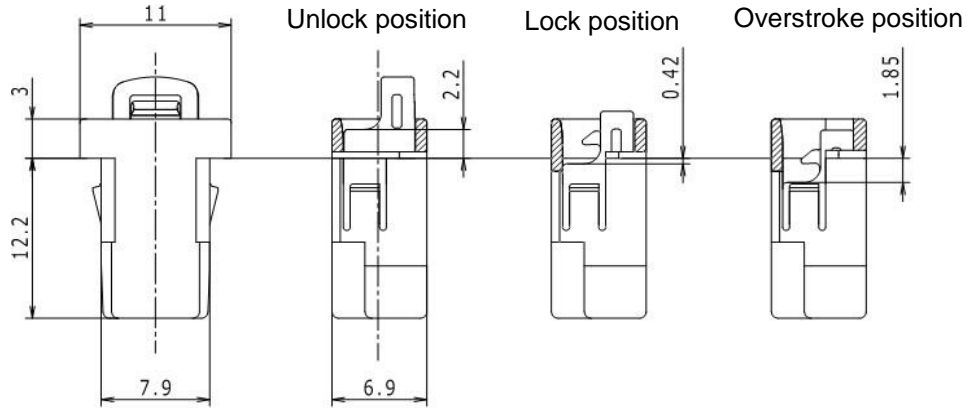


3U3B Silent Heavy-duty Latch

SOC Free
Made in China



- ◆ Characteristics
- ✓ Improved design
 - ✓ Heavy duty type



◆ Component parts

Part name	Material
HOUSING	POM
SLIDER	POM
LOCK	POM
LEVER	SUS
SPRING	SUS
LUBRICANT	-

Fitting hole shape (reference)

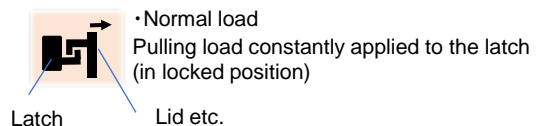
Striker shape (reference)

◇ Part number/Specifications

● Part number	Item	Force [N]	0	1	2	3	4	5	6	7	8	9	10N
3U3B	Normal load	10 MAX											
	Operating force	3.5 ± 1.5											

● Durability

Conditions	1 cycle (3s)	: Lock → Unlock
Lifetime	30,000cycles	Room temperature (23°C)
	5,000cycles	(90°C)
	5,000cycles	(-40°C)



※ Specifications are subject to change without notice.