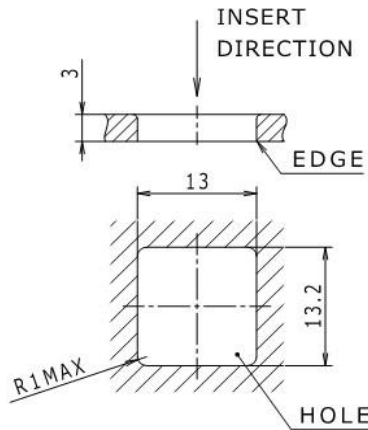
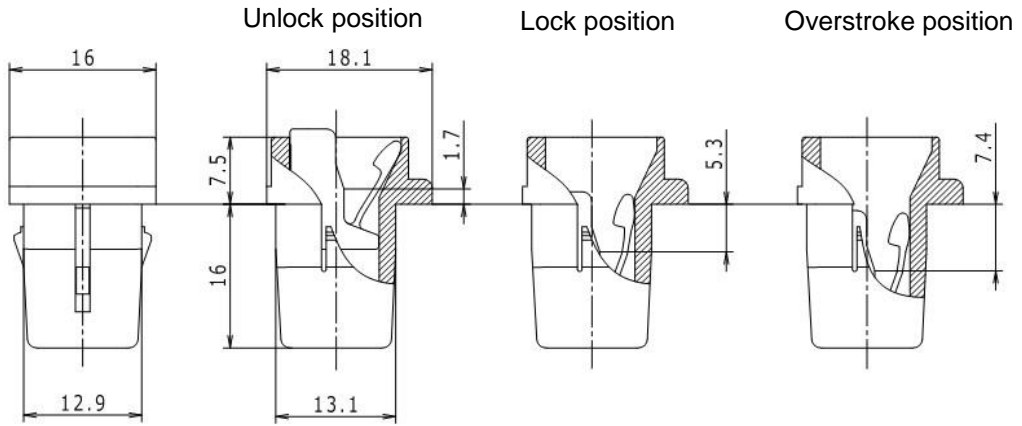
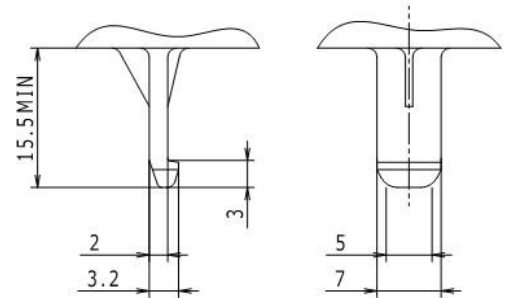


- ◆ Characteristics
 - ✓ Improved design



Fitting hole shape (reference)



Striker shape (reference)

◆ Component parts

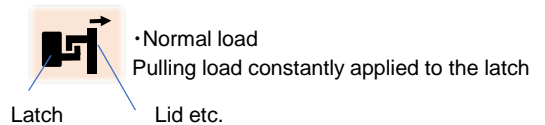
Part name	Material
CASE	POM
LATCH	POM
GUIDE LEVER	SUS
SPRING	SWP-A

◇ Part number/Specifications

● Part number	Item	Force [N]	0 1 2 3 4 5 6 7 8 9 10N										
			37A7	Normal load	10 MAX	[Bar chart showing force levels]							
	Operating force	4 ± 2	[Bar chart showing operating force]										

● Durability

Conditions	1 cycle (3s) : Lock → Unlock
Lifetime	30,000cycles Room temperature (23°C)
	5,000cycles (80°C)
	5,000cycles (-30°C)



※ Specifications are subject to change without notice.