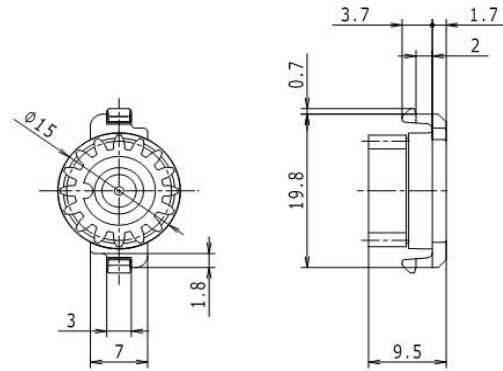
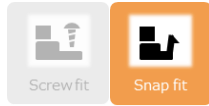


2A5Y High Torque Gear Damper

SOC Free

Made in Japan



◆ Characteristics

- ✓ $\phi 15$ size high torque
- ✓ Low cost
- ✓ Torque : 4 types

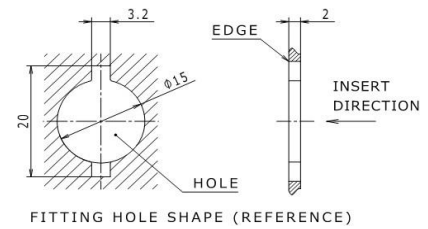
◆ Component parts

Part name	Material
CASE	POM
GEAR	POM
O-RING	EPDM
OIL	SILICONE

◆ GEAR Specification

Item	Specification
Number of teeth	16
Tooth width	4.6
Module	0.8
Pitch circle diameter	$\phi 12.8$
Pressure angle	20°

Involute full depth



◇ Part number/Specifications

Part number	Torque [mN·m]	0	5	10	15	20	25	30	35	40	45	50	55	60	65
2A5Y - 16	15.5 ± 4.5														
2A5Y - 23	23.0 ± 5.0														
2A5Y - 30	30.0 ± 6.0														
2A5Y - 39	39.0 ± 7.0														

Speed : 20r/min

● Durability

Conditions

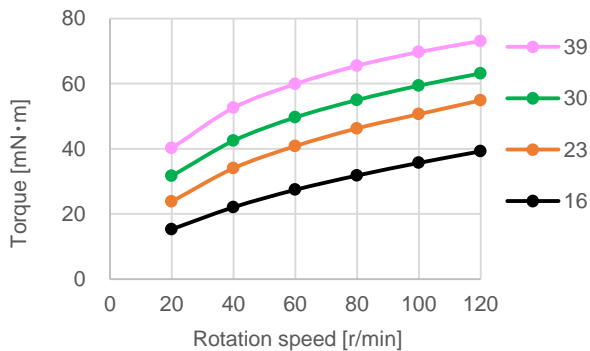
1 cycle : One rotation (3/2 turn) / 1s → pause / 1s → Reverse rotation (3/2 turn) / 1s → pause / 1s

Lifetime

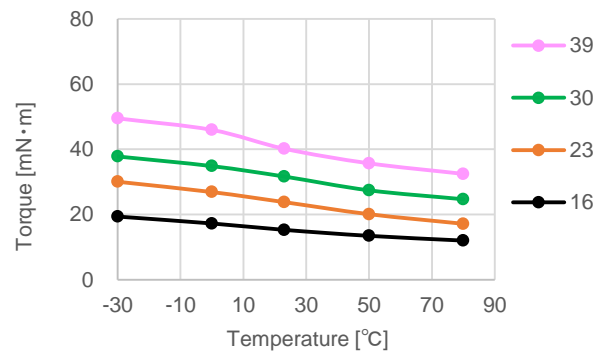
10,000 cycles Room temperature (23°C)

◇ Damper characteristics

● Rotation speed - torque characteristic (23°C)



● Temperature - torque characteristic (20r/min)



※ Specifications are subject to change without notice.