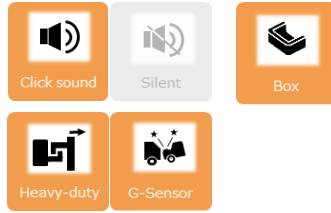
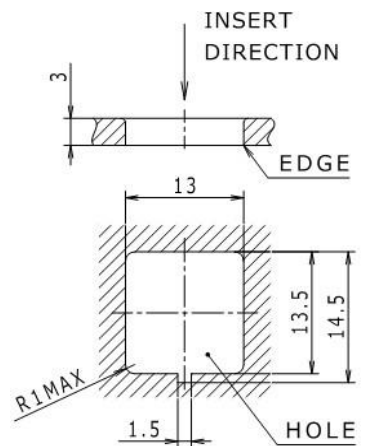
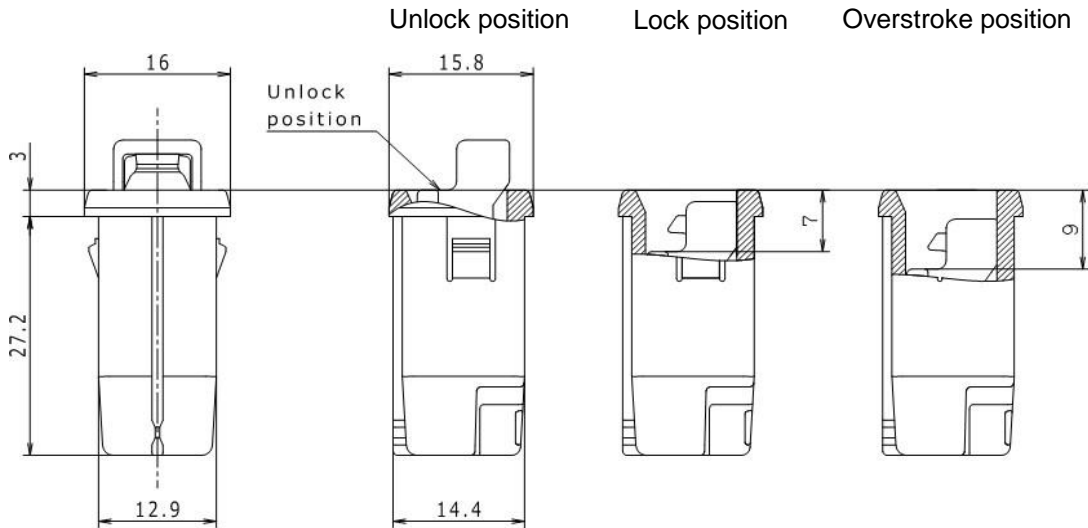


0U7F Heavy-duty Latch with G-Sensor

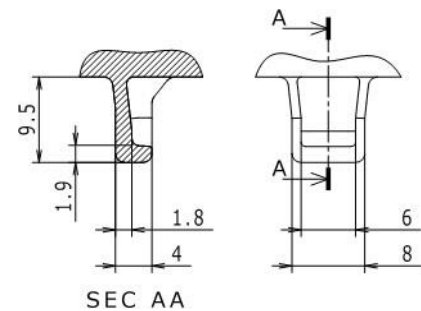
SOC Free
Made in Japan



- ◆ Characteristics
- ✓ With G-sensor
 - ✓ Heavy duty type



Fitting hole shape (reference)



SEC AA

Striker shape (reference)

◆ Component parts

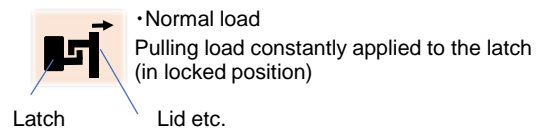
Part name	Material
HOUSING	POM
SLIDER	POM
LOCK	POM
SENSOR	PA6+Fe
LEVER	SUS
SPRING	SWP-B
SENSOR SPRING	SUS

◇ Part number/Specifications

● Part number	Item	Force [N]	0 1 2 3 4 5 6 7 8 9 10N										
			0U7F	Normal load	10 MAX	[Bar chart showing force levels from 0 to 10N]							
	Operating force	3.0 ± 1.5	[Bar chart showing operating force range from 0 to 10N]										

● Durability

Conditions	1 cycle (2~3s) : Lock → Unlock
Lifetime	40,000cycles Room temperature (23°C)



※ Specifications are subject to change without notice.