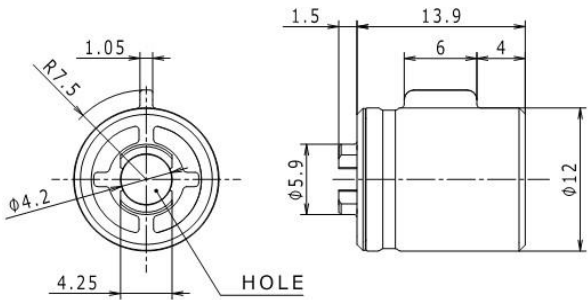


02UV φ12 Barrel Damper

SOC Free
Made in Japan



Through hole	No hole
Free angle	Limit angle



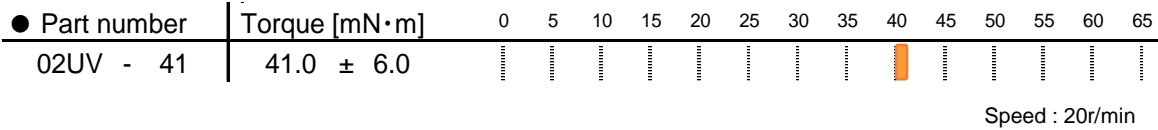
◆ Characteristics

- ✓ For Japan market

◆ Component parts

Part name	Material
HOUSING	POM
ROTOR	POM
O-RING OUTSIDE	VMQ
O-RING INSIDE	VMQ
OIL	SILICONE

◇ Part number/Specifications



● Durability

Conditions

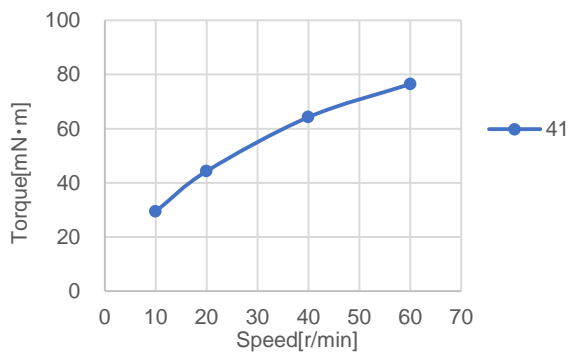
1 cycle: One rotation(1/2turn) / 1s → pause / 2s → Reverse rotation(1/2turn) / 1s → pause / 2s

Lifetime

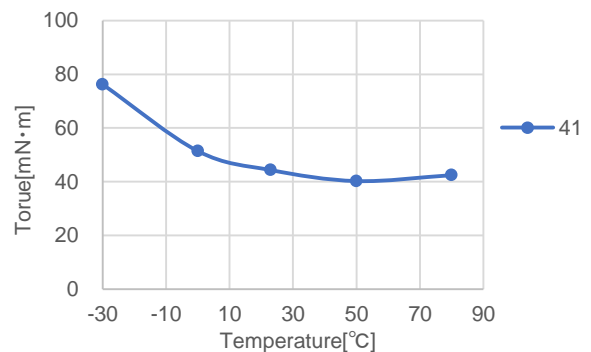
30,000 cycles 『Room temperature(23°C)』 → 1,000 cycles 『-30°C』 → 1,000 cycles 『80°C』

◇ Damper characteristics

● Rotation speed - torque characteristic (23°C)



● Temperature - torque characteristic (20r/min)



※ Specifications are subject to change without notice.