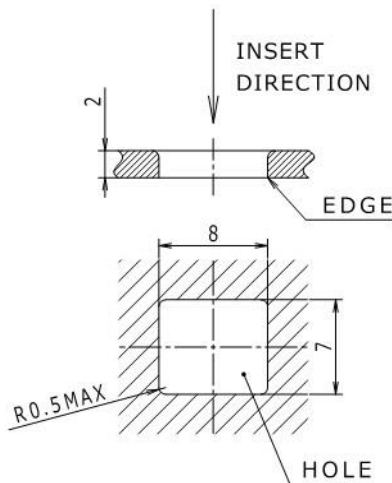
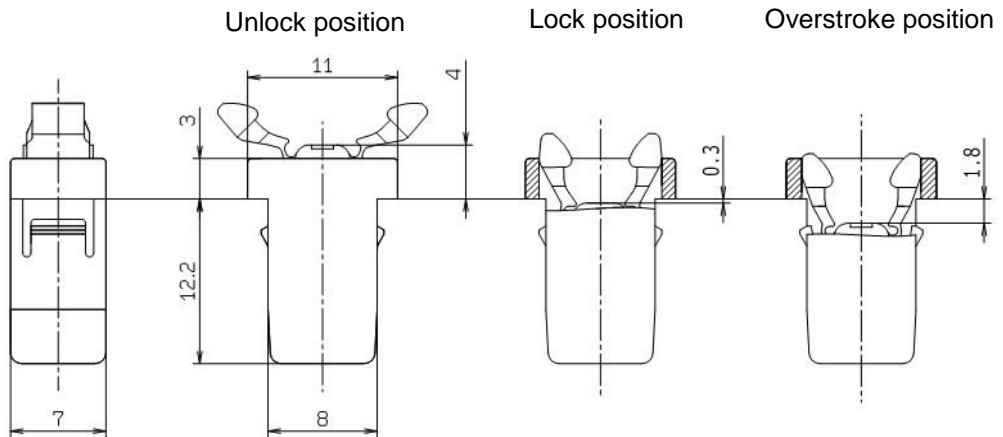
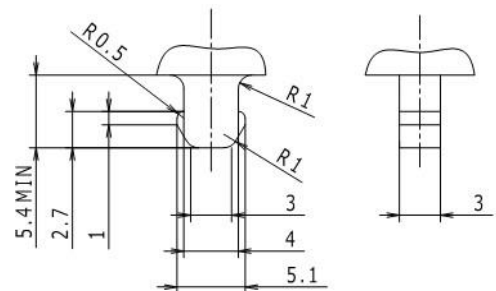


◆ Characteristics

- ✓ Low cost
- ✓ For Office equipment and Home appliance



Fitting hole shape (reference)



Striker shape (reference)

◆ Component parts

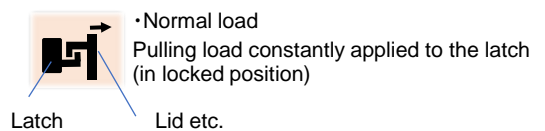
Part name	Material
CASE	POM
LATCH	PA66
SPRING	SUS
GUIDE LEVER	SUS
LUBRICANT	-

◇ Part number/Specifications

Part number	Item	Force [N]	0	1	2	3	4	5	6	7	8	9	10N
024A	Normal load	9.8 MAX											
	Operating force	5.4 ± 2.0											

● Durability

Conditions	1 cycle (3s) : Lock → Unlock
Lifetime	30,000cycles Room temperature (23°C)



※ Specifications are subject to change without notice.