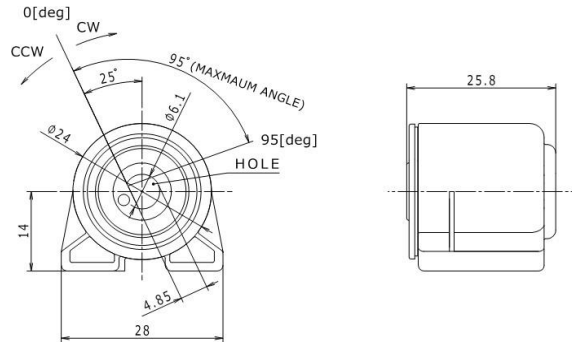
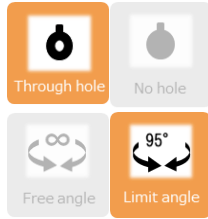


3W5K ϕ 24 1way Axis Damper

SOC Free
Made in Japan



◆ Characteristics

- ✓ One way function
- ✓ Rotation direction : CW
- ✓ Highest torque (Nifco) damper

◆ Component parts

Part name	Material
HOUSING	PA66-GF55
ROTOR	PA66-GF55
CAP	PA66-GF55
VALVE	POM
O-RING OUTSIDE	VMQ
O-RING INSIDE	VMQ
OIL	SILICONE

◆ Note

- Refrain from applying pressure to damper rotor from lateral direction.
- Refrain from using damper as stopper.
- Specifications are subject to change without notice.

◇ Part number/Specifications

Part number	Torque	Direction	Torque [N·m]	0	0.2	0.4	0.6	0.8	1	1.2	1.4	1.6	1.8	2	2.2	2.4
3W5K - 1.3	ON	CW	1.25 ± 0.3													
	OFF	CCW	0.5 MAX													
3W5K - 1.8	ON	CW	1.8 ± 0.4													
	OFF	CCW	0.5 MAX													

<<Torque>> CW : 40° to 60° average torque, CCW : 95° to 0° peak torque

Speed : 20r/min

● Durability

Conditions 1 cycle : CW 90° / 1.5s → pause / 1.5s → CCW 90° / 1.5s → pause / 1.5s

Lifetime 10,000 cycles Room temperature (23°C)

◇ Damper characteristics

● Torque characteristics

