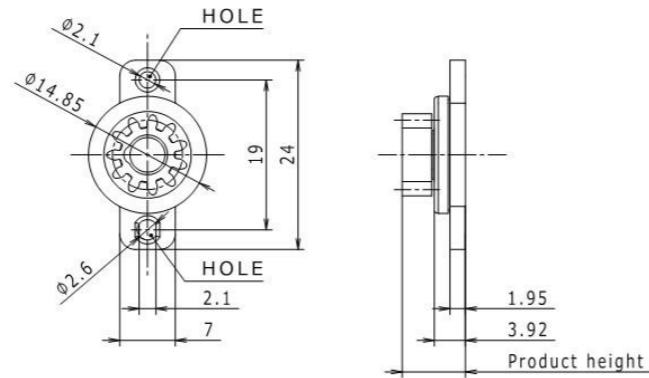
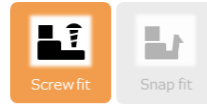


3V4B Gear Damper

SOC Free
Made in China



◆ Characteristics

- ✓ Torque : 8 types
- ✓ Gear : 4 types

◆ Component parts

Part name	Material
HOUSING	PC
ROTOR	POM
CAP	PC
GEAR	Table below
O-RING	EPDM
OIL	SILICONE

● GEAR Specification

Type	11	11W	13	16
Number of teeth	11	11	13	16
Tooth width	3.6	5.6	3.6	4.4
Product height	7.95	10	7.95	8.5
Module	0.8	0.8	0.8	0.8
Pitch circle diameter	φ8.8	φ8.8	φ10.4	φ12.8
Pressure angle	20°	20°	14.5°	20°
Material	POM	POM	PA66	PA66

Involute full depth

◇ Part number/Specifications

● Part number	Torque [mN·m]	0	2	4	6	8	10	12	14	16	18	20	22	24	26
3V4B - 02	2.0 ± 0.8														
3V4B - 03	2.3 ± 0.8														
3V4B - 04	4.0 ± 1.2														
3V4B - 08	8.0 ± 1.5														
3V4B - 11	10.5 ± 1.7														
3V4B - 15	15.0 ± 2.0														
3V4B - 17	17.0 ± 2.2														
3V4B - 23	22.5 ± 2.5														

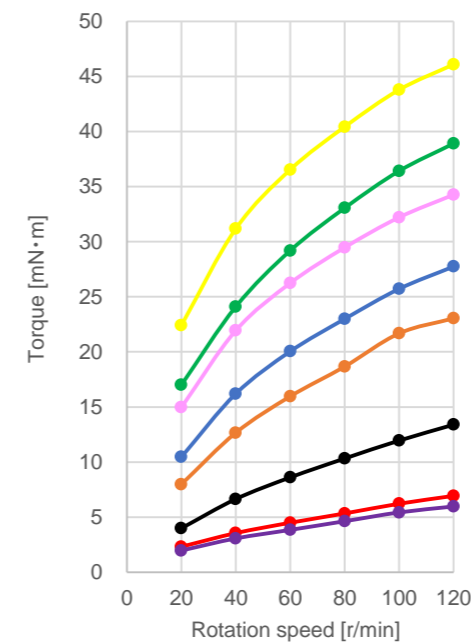
Speed : 20r/min

● Durability

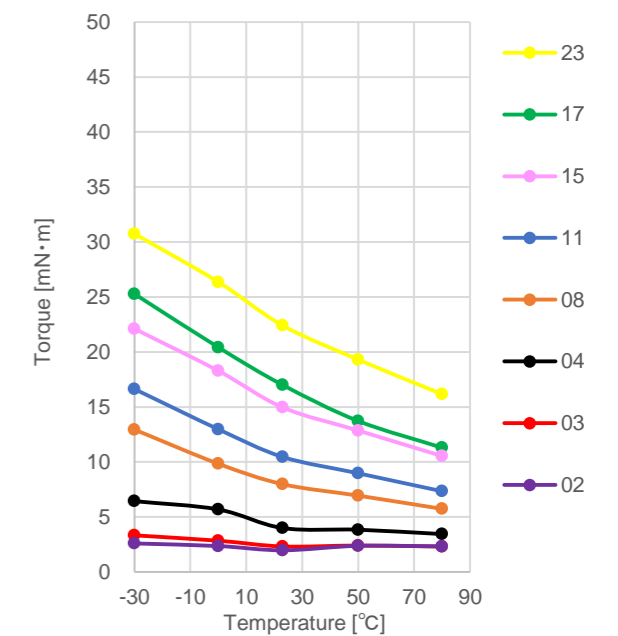
Conditions 1 cycle : One rotation (3/2 turn) / 1s → pause / 1s → Reverse rotation (3/2 turn) / 1s → pause / 1s
Lifetime 50,000 cycles Room temperature (23°C)

◇ Damper characteristics

● Rotation speed - torque characteristic (23°C)



● Temperature - torque characteristic (20r/min)



※ Specifications are subject to change without notice.