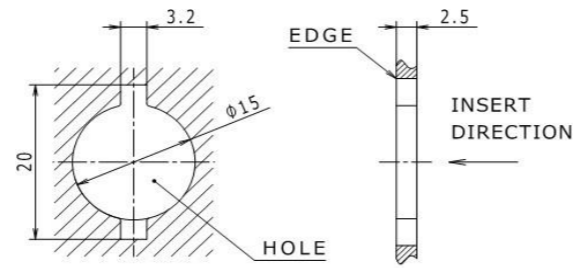
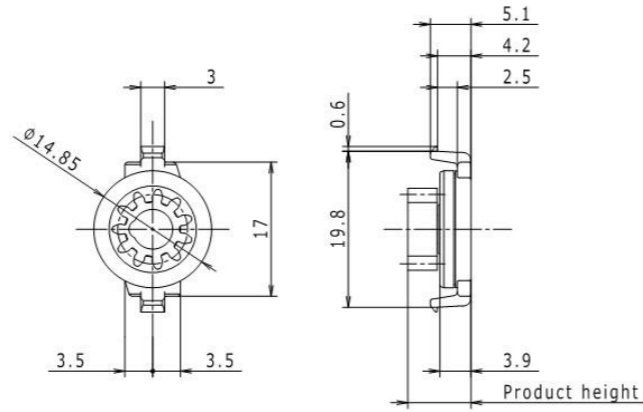
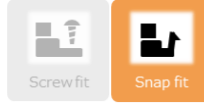


# 2B6U Gear Damper

SOC Free  
Made in China



FITTING HOLE SHAPE (REFERENCE)

### ◆ Characteristics

- ✓ Torque : 8 types
- ✓ Gear : 4 types

### ◆ Component parts

Part name	Material
HOUSING	PC
ROTOR	POM
CAP	PC
GEAR	Table below
O-RING	EPDM
OIL	SILICONE

### ● GEAR Specification

Type	11	11W	13	16
Number of teeth	11	11	13	16
Tooth width	3.6	5.6	3.6	4.4
Product height	7.95	10	8	8.5
Module	0.8	0.8	0.8	0.8
Pitch circle diameter	$\phi 8.8$	$\phi 8.8$	$\phi 10.4$	$\phi 12.8$
Pressure angle	20°	20°	14.5°	20°
Material	POM	POM	PA66	PA66

Involute full depth

### ◆ Part number/Specifications

● Part number	Torque [mN·m]	0	2	4	6	8	10	12	14	16	18	20	22	24	26
2B6U - 02	2.0 ± 0.8		█												
2B6U - 03	2.5 ± 0.8		█												
2B6U - 04	4.0 ± 1.2			█											
2B6U - 07	7.0 ± 1.4				█										
2B6U - 09	9.0 ± 1.6					█									
2B6U - 13	13.5 ± 1.8						█								
2B6U - 15	15.0 ± 2.0							█							
2B6U - 21	21.0 ± 2.5												█		

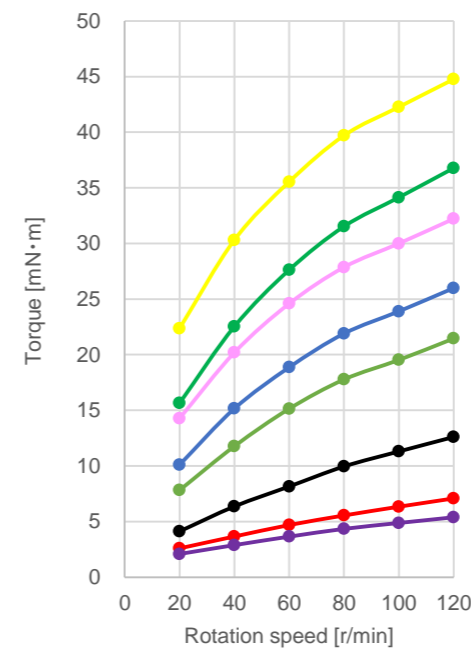
Speed : 20r/min

### ● Durability

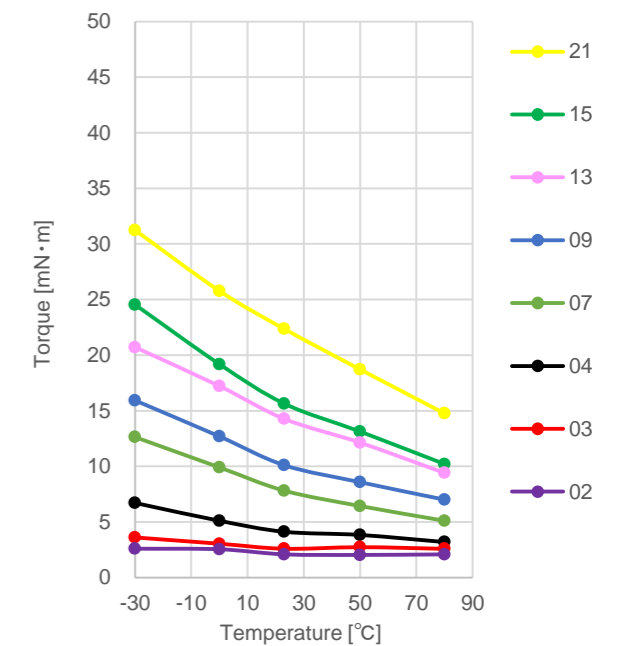
**Conditions** 1 cycle : One rotation (3/2 turn) / 1s → pause / 1s → Reverse rotation (3/2 turn) / 1s → pause / 1s  
**Lifetime** 50,000 cycles Room temperature (23°C)

### ◆ Damper characteristics

#### ● Rotation speed - torque characteristic (23°C)



#### ● Temperature - torque characteristic (20r/min)



※ Specifications are subject to change without notice.