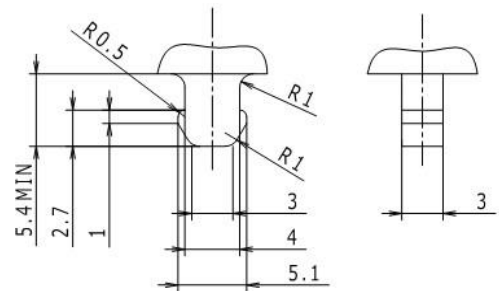
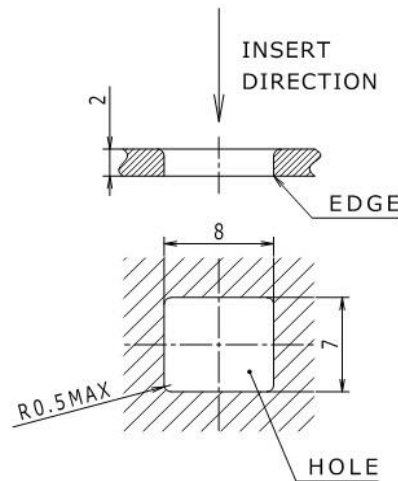
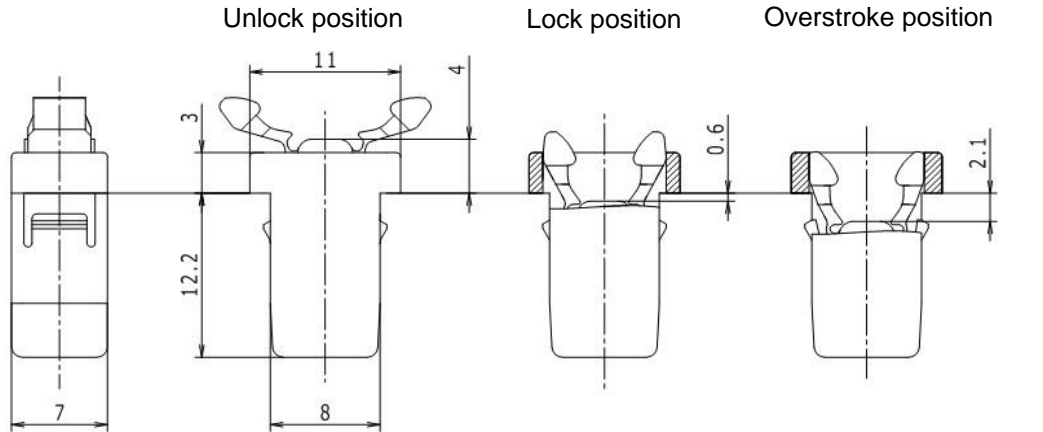


- ◆ Characteristics
- ✓ Low cost
 - ✓ Low VOC



◆ Component parts

Part name	Material
CASE	POM
LATCH	PA66
SPRING	SUS
GUIDE LEVER	SUS
LUBRICANT	-

Fitting hole shape (reference)

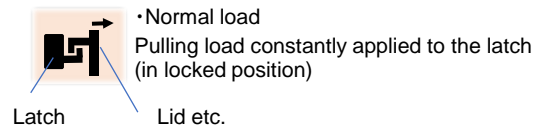
Striker shape (reference)

◇ Part number/Specifications

Part number	Item	Force [N]	0	1	2	3	4	5	6	7	8	9	10N
29K0	Normal load	10 MAX											
	Operating force	5.4 ± 2.0											

● Durability

Conditions	1 cycle (2~3s) : Lock → Unlock
Lifetime	30,000cycles Room temperature (23°C) 5,000cycles (80°C)



※ Specifications are subject to change without notice.