

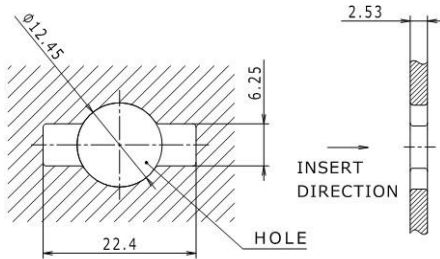
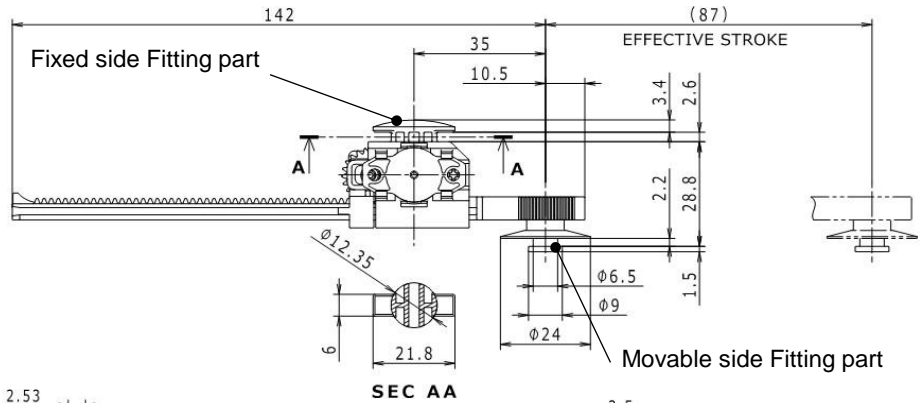


◆ Characteristics

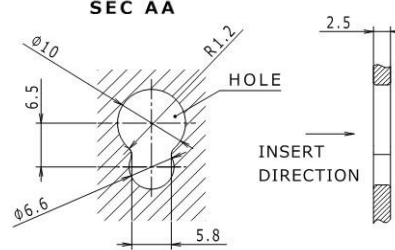
- ✓ Quick damping response
- ✓ Push force reduced
- ✓ For Glove box

◆ Component parts

Part name	Material
CASE	PA66
RACK	POM
SLIDE GEAR	PBT
HOLDER	PA66
DAMPER	PC etc



FITTING HOLE SHAPE (BODY SIDE)



FITTING HOLE SHAPE (BOX SIDE)

◆ Part number/Specifications

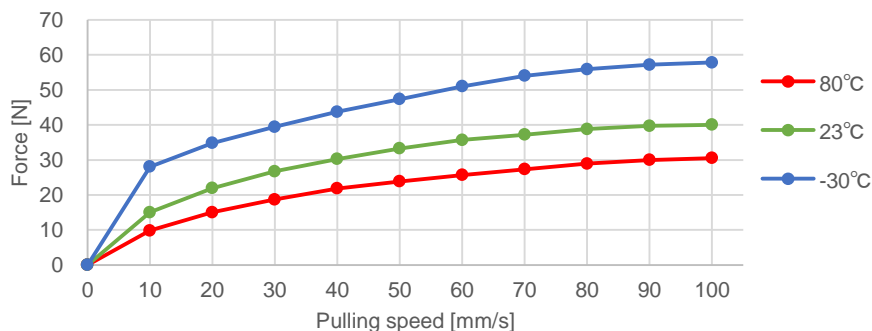
Part number	Operating direction	Operating speed [mm/s]	Force [N]
06HG	Pull	22.5	24 ± 8
	Push	50	5 MAX

● Durability

Lifetime 14,000 times 『Room temperature(23°C)』 → 2,000 times 『-25°C』 → 2,000 times 『70°C』 → 2,000 times 『55°C/95%RH』

◆ Damper characteristics

● Pulling speed and force



※ Specifications are subject to change without notice.